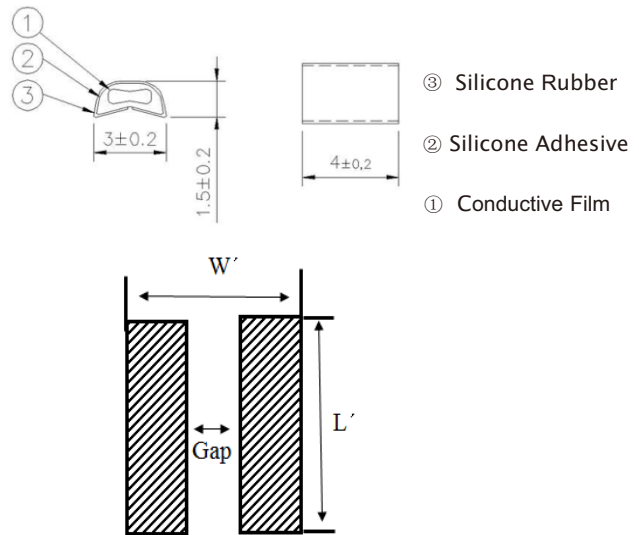


PCB SMT Gasket LPG-R 3-1.5-4

▶ Outline

LPG-R Gasket has excellent properties of elasticity & conductivity. So it is not broken and no deformation like metal finger, and matched well with any frame at any SMT position. To make LPG-R Gasket, we adopted new materials and structures. LPG-R Gasket can replace EMI Gasket (adhesive tape type), finger and dispensing gasket. Moreover, due to automatic pick up & reflow soldering, its production yield and the reliability are very good.

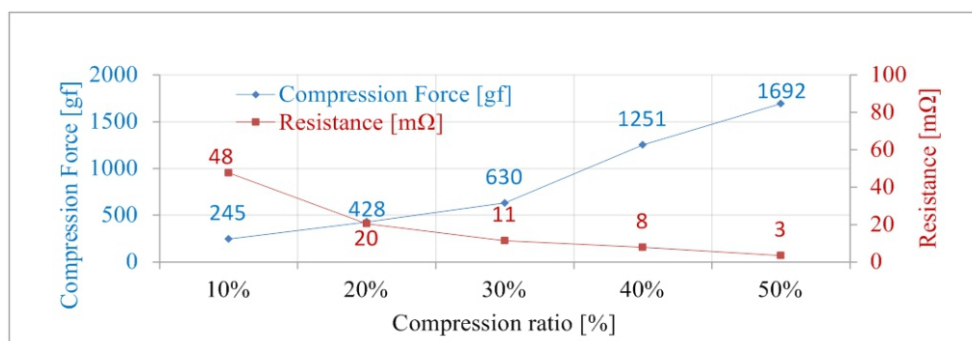


▶ Construction

P/N	Product Size ± 0.20			※ RCH (20~40%)	Recommended Solder Land size		
	W	H	L		Gap	W'	L'
LPG-R 3-1.5-4	3.00	1.50	4.00	0.9~1.2	0.5	3.3	4.3

※ RCH=Recommended Compression Height

▶ Typical Characteristics graph



PCB SMT Gasket

LPG-R 3-1.5-4

▶ Characteristics of product

Cd	Pb	Hg	Cr VI	PBB	PBDE	Cl	Br	S	
No detect									
Meet Eu-RoHS, Halogen Free, UL 94 V-1 [File No : E311094]									
Electric Resistance for the compression(120g) : Max.100mΩ(Typical.5mΩ)									
Soldering Strength : Min.600gf/ea(Typical.1300gf/ea), Between PCB & Conductive Film after SMT									
Compression Force after 20% compression : Max.700gf(Typical.400gf)									
Recovery Ratio : Min.90% (Typical.96%,30% Compression,100hrs)									
Recommended Compression Height(RCH):20~40% of Original height after Soldering.									
Salt spray test after SMT (35°C, 5% Nacl, 48hr)				Corossion		None Corrosion			
				Resistance [Ω]		Max.100mΩ(Typical.5mΩ)			
Galvanic Reaction between different matal				Metal		Ni	Au	SUS	Mg
				Reaction		Rare Reaction[Acceptable in using]			

▶ Application

LCD/LED TV, Mobile Phone, Monitor, Personal computer, FPCB, Touch Panel, Digital Camera etc.



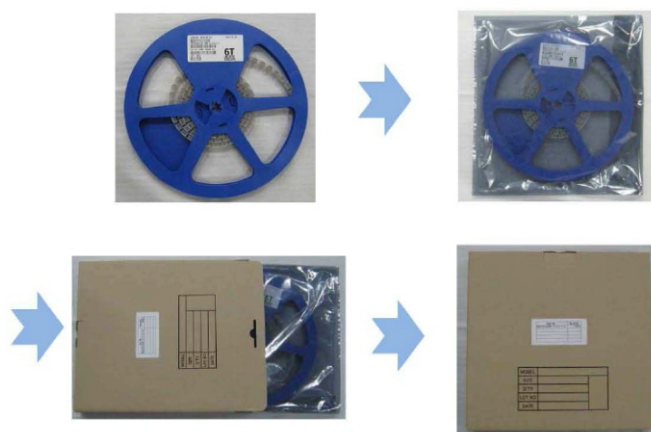
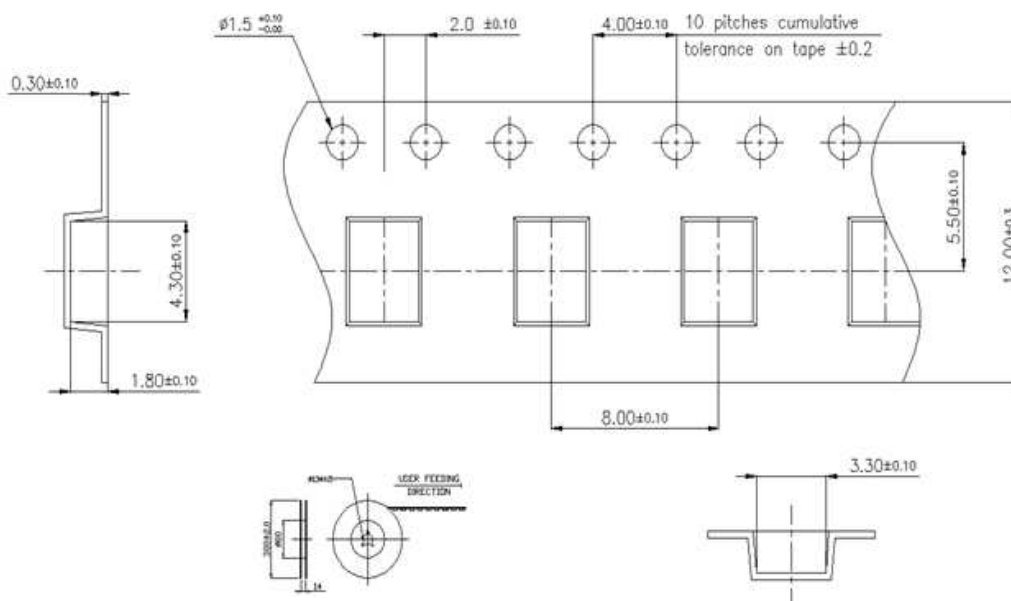
PCB SMT Gasket

LPG-R 3-1.5-4

▶ Packing Specifications



Carrier Tape scale(2:1)



Vacuum packing and adding desiccant inside the packaging.