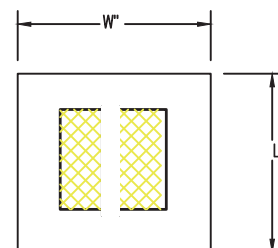
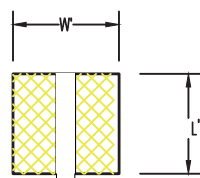
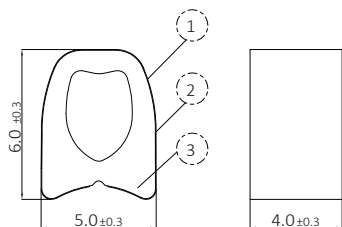


# PCB SMT GASKET

## LPG-R 5-6-4

LPG-R Gasket has excellent properties of elasticity & conductivity. So it is not broken and no deformation like metal finger, and matched well with any frame at any SMT position. To make LPG-R Gasket, we adopted new materials and structures. LPG-R Gasket can replace EMI Gasket (adhesive tape type), finger and dispensing gasket. Moreover, due to automatic pick up & reflow soldering, its production yield and the reliability are very good.



- ① Conductive Film
- ② Silicone Adhesive
- ③ Silicone Rubber

Recommended Solder Land Size    PCB LAYOUT Recommend

P/N	Product Size ±0.2			RCH (20~50%)	Recommended Solder Land Size			PCB LAYOUT Recommend	
	W	H	L		Gap	W'	L'	W''	L''
LPG-R 5-6-3	5.00	6.00	4.00	1.2~3.0	0.5~1	5.5	4.3	9.8	5.0

RCH: Recommended Compression Height

### CHARACTERISTICS OF PRODUCT

ITEM		PROPERTIES	TEST METHOD
Base Material		Silicone rubber / PI film	/
Color		Sliver	/
Electrical Resistance test	Original	Max. 0.1 Ω	Precision digital meter
	Thermo-Hygrostat		
	Brine atomizing		
	Thermal Shock		
PCB Bond Strength		Min. 1,500gf	UTM
Restoring Rate		Min. 95%	30% Compress for 240 hrs
Flame Retardant		UL 94-V1 equivalence	UL 94
Environmental		Meet Eu-RoHS, Halogen Free	IEC62321

Long Young Electronic Co.

Tel: 86.512.57668990

Fax: 86.512.57669500



# PCB SMT GASKET

## LPG-R 5-6-4

### FEATURES AND BENEFITS

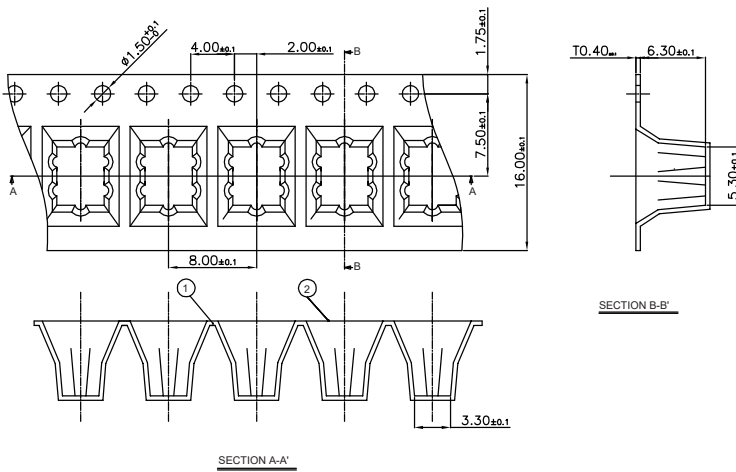
- Electrical grounding and PCB connector
- Lightweight and low surface resistance
- Good elasticity and resilience
- All kinds sizes and shape

### APPLICATION

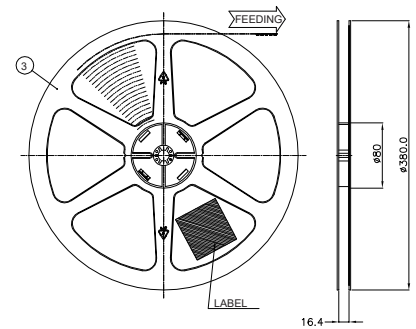
LCD/LED TV, Mobile Phone, Monitor, Personal computer, FPCB, Touch Panel, Digital Camera etc.

### PACKING SPECIFICATIONS

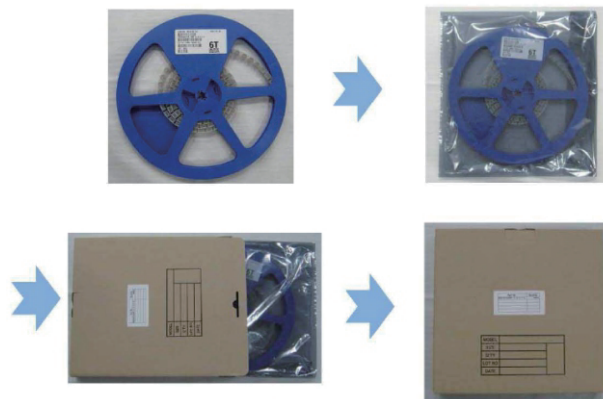
#### CARRIER TAPE



#### REEL FOR CARRIER TAPE



- NOTE
1. PEELING FORCE : 20 ~ 80g
  2. REEL PACKING : 10,000EA / 1REEL



\*Vacuum packing and adding desiccant inside the packaging.

Long Young Electronic Co.

Tel: 86.512.57668990

Fax: 86.512.57669500

